

# SUNON®

## Modern HVLS Fan



### GENERAL

Customer	-	
Model	BCNC1DA060A-02B	
SEQ	B25000390G-00	
Fan diameter	1.5 m	5 ft
Color	Black	
Airfoil material	ABS	
Number of airfoils	3	
Number of fan speeds	6	
Weight	6.3 Kg	13.86 lb

### CONTROL UNIT



### POWER & CONTROLS

Power source	220-240 VAC, 1Φ, 50-60Hz
Control	Remote Control

### MOTOR

Motor type	BLDC Direct Drive Motor	
Operational temperature range	-10°C~40°C	14°F~ 104°F

### PERFORMANCE<sup>1</sup>

Speed (min/max)	50 / 120 RPM	
Rated current (min/max)	0.08 / 0.43 A	
Power consumption (min/max)	5 / 50 W	
Max airflow	18,590 m <sup>3</sup> /h	10,950 CFM
Noise	<35 dB(A)	

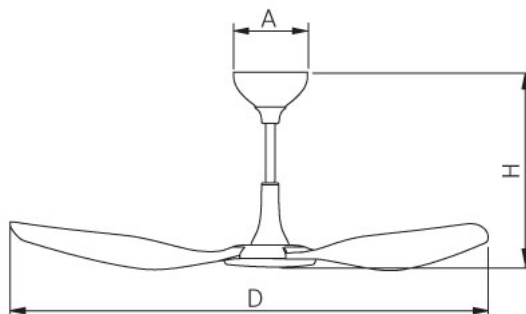
### MOUNTING

Mounting options	I-Beam	
Extension tube	525mm	1.7 ft

### RATING & CERTIFICATIONS

Environment	<input checked="" type="checkbox"/> Indoor <input type="checkbox"/> Outdoor(Rating:IP55) <sup>2</sup>	
Certifications	CE,CB	

### DIMENSIONS



D	1.5 m	5 ft
---	-------	------

A	200 mm	0.65 ft
---	--------	---------

H	525 mm	1.7 ft
---	--------	--------

Note 1.Performance in field condition may vary due to environment conditions.

Note 2.Not suitable for salt air environment.